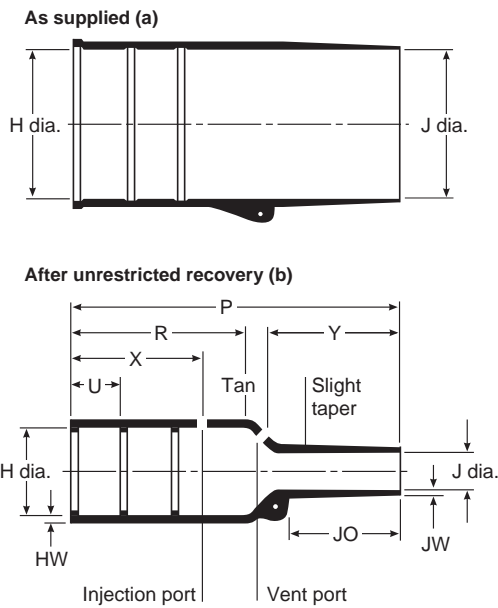
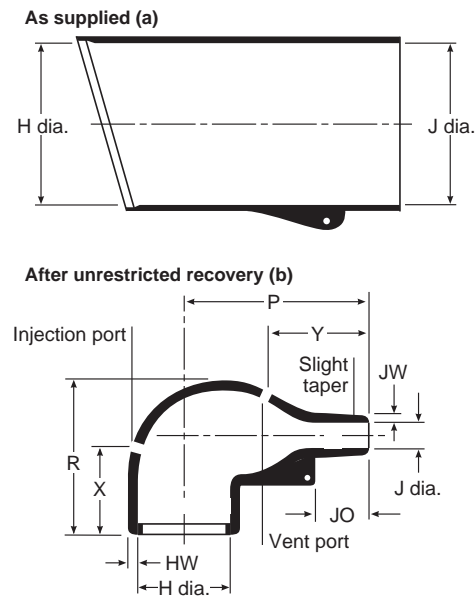


SHRINKABLE BOOTS

STRAIGHT LIPPED BOOT 202K121 TO 185



RIGHT-ANGLED BOOT 222K121 TO 185



Straight lipped	Expanded as supplied (min)				Recovered after heating (max)							Connector shell size recommended*
	H	J	J	J	H	J	P	S	T	U&V		
	-3-4-12-25	-3-4-25	-12	-100								
202K121	24	24	13	14	10.4	5.6	38	3.0	1.0	12	9* - 11	
202K132	30	30	14	15	14.2	5.9	55	3.0	1.0	12	9* - 11 - 13	
202K142	31	31	16	18	18.0	7.1	67	3.0	1.0	20	13 - 15* - 17	
202K153	36	36	19	21	22.4	8.4	80	3.0	1.0	20	17* - 19*	
202K163	43	43	22	25	28.2	9.9	99	3.0	1.7	20	21* - 23* - 25	
202K174	60	52	35	39	35.1	15.7	130	3.0	1.7	20	23 - 25*	
202K185	66	66	38	42	44.5	16.8	170	3.0	2.0	20	25	

Example: 202K142-25/225-0

Right-angled	Expanded as supplied (min)				Recovered after heating (max)							Connector shell size recommended*
	H	J	J	J	H	J	P	R	S	T	U	
	-3-4-12-25	-3-4-25	-12	-100								
222K121	24	24	14	14	10.4	5.6	25	25	19	3.0	1.0	9* - 11
222K132	30	30	15	15	14.2	5.9	32	27	20	3.0	1.0	9* - 11 - 13
222K142	31	31	18	18	18.0	7.1	39	31	21	3.0	1.0	13 - 15* - 17
222K153	36	36	21	21	22.4	8.4	46	38	26	3.0	1.0	17* - 19*
222K163	43	43	25	25	28.2	9.9	55	45	30	3.0	1.7	21* - 23* - 25
222K174	60	60	39	39	35.1	15.7	80	54	35	3.0	1.7	23 - 25*
222K185	66	66	42	42	44.5	16.8	108	68	42	3.0	2.0	25

Example: 222K142-25/225-0

Straight & right-angle shrinkable boots are used with 91H adaptors for optimal mechanical and electromagnetic finish in D38999 SCP TV connectors. See table for the correct connector / adaptor / boot combination.

Material	Description	Precoating no.	Adhesive part no.**
-3	Semirigid polyolefin	/12 or /86	S- 1017 or S- 1048
-4	Flexible polyolefin	/42 or /86	S- 1017 or S- 1048
-25 ☺	Fluid-resistant elastomer	/42 or /86 or /225 ☺	S- 1017 or S- 1048
-100	Polyolefin, Zerohall	/86 or /180	S- 1030 or S- 1048