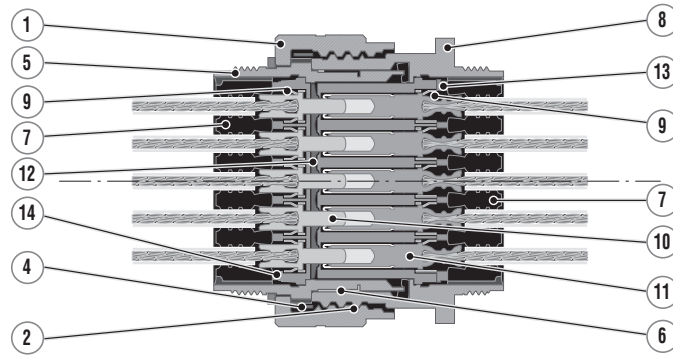
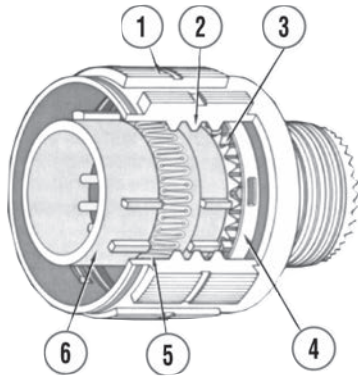


## ELECTRICAL CHARACTERISTICS



- |                          |                            |
|--------------------------|----------------------------|
| 1 Coupling nut           | 8 Receptacle shell         |
| 2 Quick coupling thread  | 9 Contact retention clips  |
| 3 Ratchet                | 10 Crimping pin contact    |
| 4 Anti decoupling device | 11 Crimping socket contact |
| 5 Spring fingers (EMI)   | 12 Interfacial seal        |
| 6 Plug shell             | 13 Socket insert           |
| 7 Grommet                | 14 Pin insert              |

## MECHANICAL CHARACTERISTICS

- Thermoplastic insert
- Silicone rubber back insert and interfacial seal
- **Durability:** - 500 cycles  
- 1500 cycles with composite connector "CTV" fitted with "H" and "J" contact types
- **Shocks:** half sine wave of 300 G magnitude during 3ms per EIA364.27
- **Sine vibrations:** - 60 g from - 55°C to + 175°C (olive drab cadmium finish)  
- 60 g from - 55°C to 200°C (nickel finish and firewall version)
- **Random vibrations per EIA364.28:** - 1 G<sup>2</sup> / Hz at 175°C olive drab cadmium finish  
- 1G<sup>2</sup> / Hz at 200°C nickel finish and firewall version  
- 5G<sup>2</sup> / Hz at ambient
- **Bending moment**

Shell size		Bending moment Nm
Series III MIL-DTL-38999	SCP TV	
A	09	11.3
B	11	33.9
C	13	45.2
D	15	56.5
E	17	67.8
F	19	79.1
G	21	90.4
H	23	101.7
J	25	113.0

• Contact retention force

Contact Size	23	22D	20	16	12	8	4
Maximum load (N)	44	44	67	110	110	150	150