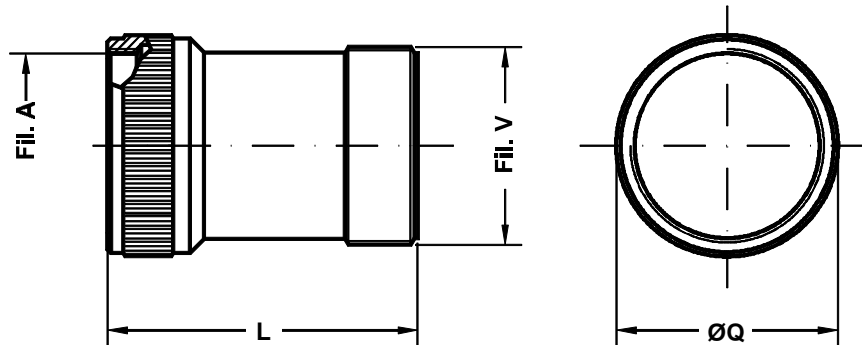


Cuello largo para conector aéreo
Long backshell for plug connectors

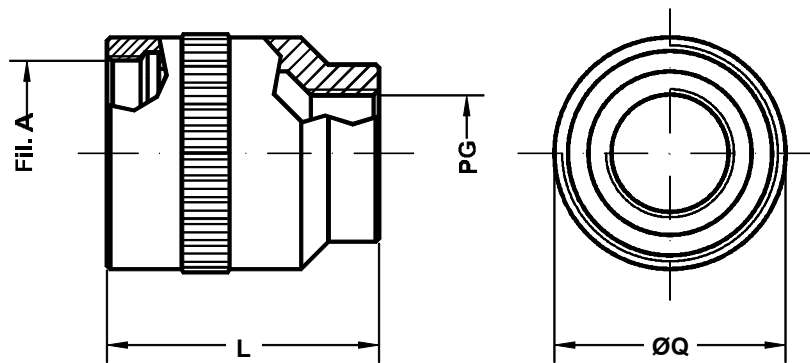


Dimensiones del conector Shell Size	Rosca A A thread	L Max.	Q ±0.2	Rosca V V thread
10 SL	0.6250 - 24UNEF	50.0	20.0	0.6250 - 24UNEF
12 S - 12	0.6250 - 24UNEF	50.0	20.0	0.6250 - 24UNEF
14 S - 14	0.7500 - 20UNEF	50.0	23.0	0.7500 - 20UNEF
16 S	0.8750 - 20UNEF	50.0	25.0	0.8750 - 20UNEF
16	0.8750 - 20UNEF	54.0	25.0	0.8750 - 20UNEF
18	1.0000 - 20UNEF	56.0	29.5	1.0000 - 20UNEF
20	1.1250 - 18UNEF	56.0	32.0	1.1875 - 18UNEF
22	1.2500 - 18UNEF	56.0	35.0	1.1875 - 18UNEF
24	1.3750 - 18UNEF	56.0	38.5	1.4375 - 18UNEF
28	1.6250 - 18UNEF	61.0	45.0	1.4375 - 18UNEF
32	1.8750 - 16UN	61.0	53.2	1.7500 - 18UNS
36	2.0625 - 16UN	61.0	57.4	2.0000 - 18UNS
40	2.3125 - 16UN	61.0	63.2	2.2500 - 16UN

Sustituye la utilización del cuello standard.
Facilita el trabajo con cable multiconductor.
Disponibile para el uso con brida MS3057 -
XX A/B/C.

To make wiring easier, a longer backshell is
available for use with cable clamp MS3057-
XX A/B/C.

Rácor PG PG adaptor

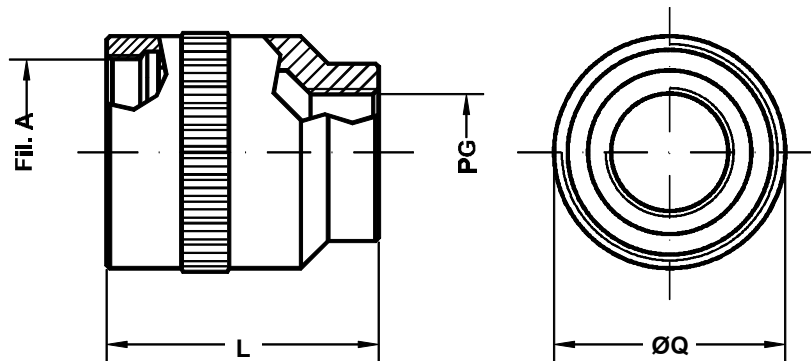


Dimensiones del conector Shell Size	Rosca A A thread	L Max.	Q Max.	Rosca PG Rosca PG
10 SL	0.6250 - 24UNEF	30.0	22.5	7 / 9 / 11
12 S - 12	0.6250 - 24UNEF	30.0	22.5	7 / 9 / 11
14 S - 14	0.7500 - 20UNEF	32.0	23.5	11 / 13.5
16 S	0.8750 - 20UNEF	32.0	25.5	9 / 11 / 16
16	0.8750 - 20UNEF	32.0	25.5	9 / 11 / 16
18	1.0000 - 20UNEF	40.0	30.5	9 / 11 / 16 / 21
20	1.1250 - 18UNEF	42.0	35.5	11 / 16 / 21
22	1.2500 - 18UNEF	42.0	35.5	13.5 / 16 / 21
24	1.3750 - 18UNEF	42.0	40.5	13.5 / 16 / 21 / 29
28	1.6250 - 18UNEF	47.0	45.5	16 / 21 / 29
32	1.8750 - 16UN	52.0	52.5	21 / 29
36	2.0625 - 16UN	57.0	60.0	21 / 29 / 36
40	2.3125 - 16UN	62.0	63.5	29 / 36

Adaptador para acoplar prensaestopas PG.
Para el uso en conectores aéreos rectos de
clase A.

Adaptor for PG cable gland.
For use with class A straight plugs.

Rácor PG PG adaptor

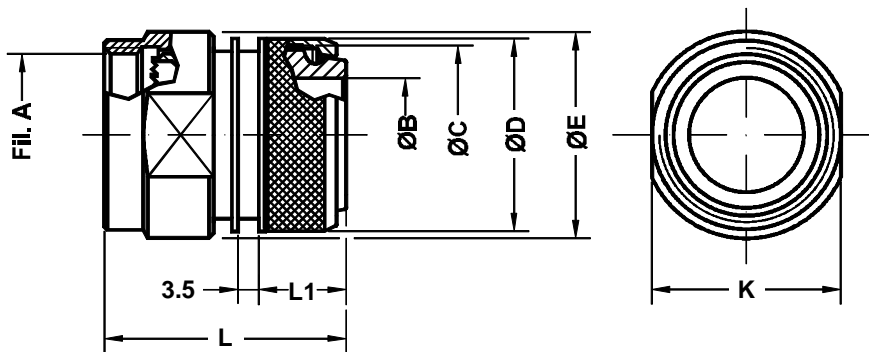


Dimensiones del conector	Rosca A	L	Q	Rosca PG
Shell Size	A thread	Max.	Max.	PG thread
10 SL	0.6250 - 24UNEF	30.0	22.5	07/09/2011
12 S - 12	0.7500 - 20UNEF	30.0	22.5	07/09/2011
14 S - 14	0.8750 - 20UNEF	32.0	23.5	11 / 13.5
16 S	1.0000 - 20UNEF	32.0	25.5	09/11/2016
16	1.0000 - 20UNEF	32.0	25.5	09/11/2016
18	1.1250 - 18UNEF	40.0	30.5	9 / 11 / 16 / 21
20	1.2500 - 18UNEF	42.0	35.5	11 / 16 / 21
22	1.3750 - 18UNEF	42.0	35.5	13.5 / 16 / 21
24	1.5000 - 18UNEF	42.0	40.5	13.5 / 16 / 21 / 29
28	1.7500 - 18UNS	47.0	45.5	16 / 21 / 29
32	2.0000 - 18UNS	52.0	52.5	21 / 29
36	2.2500 - 16UN	57.0	60.0	21 / 29 / 36
40	2.5000 - 16UN	62.0	63.5	29 / 36

Adaptador para acoplar prensaestopas PG.
Para el uso en conectores acodados a 90° de clase A.

Adaptor for PG cable gland.
For use with class A 90° plugs.

Cuello para conector aéreo Backshell for plug connectors

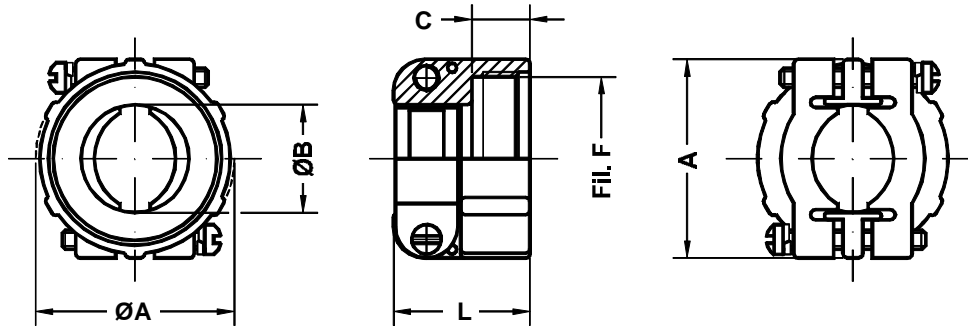


Dimensiones del conector Shell Size	Rosca A A thread	B m in.	C ±0.1	D ±0.2	E ±0.2	Ch. K K key	L Max.	L1 ±0.1
10 SL	0.6250 - 24UNEF	8.5	13.0	15.5	17.0	20	35.0	8.2
12 S - 12	0.6250 - 24UNEF	8.5	13.0	15.5	17.0	20	35.0	8.2
14 S - 14	0.7500 - 20UNEF	12.0	16.5	19.1	20.1	23	35.0	8.2
16 S	0.8750 - 20UNEF	14.5	21.5	23.9	23.5	26	35.0	8.2
16	0.8750 - 20UNEF	14.5	21.5	23.9	23.5	26	40.0	8.0
18	1.0000 - 20UNEF	17.5	21.7	23.9	26.5	28	40.0	8.0
20	1.1250 - 18UNEF	19.5	26.0	29.6	30.5	32	40.0	8.9
22	1.2500 - 18UNEF	22.0	26.0	29.6	33.6	36	40.0	8.9
24	1.3750 - 18UNEF	25.0	34.5	37.8	36.1	39	40.0	9.2
28	1.6250 - 18UNEF	29.0	34.3	37.8	41.4	46	40.0	9.2
32	1.8750 - 16UN	34.0	43.6	47.8	48.6	52	43.0	11.7
36	2.0625 - 16UN	38.5	43.6	47.8	54.8	58	45.0	11.7
40	2.3125 - 16UN	48.0	52.6	57.8	60.9	65	45.0	11.7

Adaptador inspeccionable para conector aéreo con terminación de pantalla y bota termorretráctil .

Backshell with rotating clamp nut for terminating shielded cable with a "braid trap" nut and heat shrink tubing.

Brida tipo A Cable clamp

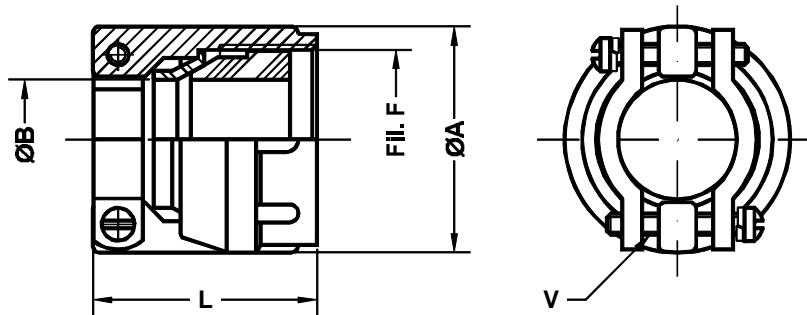


Código P/N	Dimens. Con. Connector size	Manguito a utilizar Sleeve to use	A	B	C	Rosca F F thread	L
SCP3057 - 4A	10SL - 12 - 12S	SCP3420 - 4	25	8.2	10.2	0.6250 - 24UNEF	21.0
SCP3057 - 6A	14 - 14S	SCP3420 - 6	27	11.2	10.2	0.7500 - 20UNEF	22.2
SCP3057 - 8A	16 - 16S	SCP3420 - 8	28	14.2	10.2	0.8750 - 20UNEF	24.0
SCP3057 - 10A	18	SCP3420 - 10	33	16.0	10.2	1.0000 - 20UNEF	28.5
SCP3057 - 12A	20 - 22	SCP3420 - 12	35	19.0	10.2	1.1875 - 18NEF	24.0
SCP3057 - 16A	24 - 28	SCP3420 - 16	43	23.8	10.5	1.4375 - 18NEF	26.0
SCP3057 - 20A	32	SCP3420 - 20	51	31.7	12.5	1.7500 - 18NS	28.0
SCP3057 - 24A	36	SCP3420 - 24	58	35.0	14.0	2.0000 - 18NS	29.4
SCP3057 - 28A	40	SCP3420 - 28	65	41.2	14.0	2.2500 - 16UN	42.8

Brida de uso general para sujeción mecánica de cables multipolares con o sin cubierta.

General duty cable clamp suitable for jacketed or multipolar cable or wires protected by tubing.

Brida tipo C Cable clamp



Código P/N	Dim. con. Conn. size	Manguito a utilizar Sleeve to use	A	B		Rosca F F thread	L	Rosca V V thread
				min.	Max.			
SCP 3057 - 40	10SL - 12 - 12S	SCP3420 - 4A	22.6	2.38	7.93	0.6250 - 24UNEF	32.3	6 - 32 NC
SCP 3057 - 60	14 - 14S	SCP3420 - 4A / 6A	25.8	5.84	11.12	0.7500 - 20UNEF	32.3	6 - 32 NC
SCP 3057 - 80	16 - 16S	SCP3420 - 6A / 8A	28.1	8.00	13.84	0.8750 - 20UNEF	32.3	6 - 32 NC
SCP 3057 - 100	18	SCP3420 - 6A / 10A	31.0	9.60	15.87	1.0000 - 20UNEF	35.3	6 - 32 NC
SCP 3057 - 120	20 - 22	SCP3420 - 8A / 12A	37.3	11.30	19.00	1.1875 - 18NEF	35.7	8 - 32 NC
SCP 3057 - 160	24 - 28	SCP3420 - 8A / 12A / 16A	42.0	15.50	23.80	1.4375 - 18NEF	38.5	8 - 32 NC
SCP 3057 - 200	32	SCP3420 - 12A / 16A / 20A	54.0	23.40	31.75	1.7500 - 18NS	44.8	250 - 20 NC
SCP 3057 - 240	36	SCP3420 - 16A / 18A / 24A	57.1	23.40	35.00	2.0000 - 18NS	51.6	250 - 20 NC
SCP 3057 - 280	40	SCP3420 - 16A / 20A / 28A	63.5	29.90	41.25	2.2500 - 16UN	51.6	250 - 20 NC

Brida de uso general para sujeción mecánica de cables con cubierta ó protegidos con tubo.
Asegura estanqueidad en la parte trasera del conector.

Waterproof cable clamp suitable for jacketed cable or wires protected by tubing. Assures watertight integrity of connector.