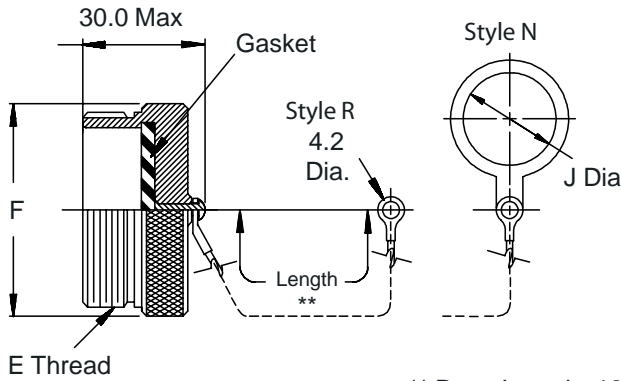
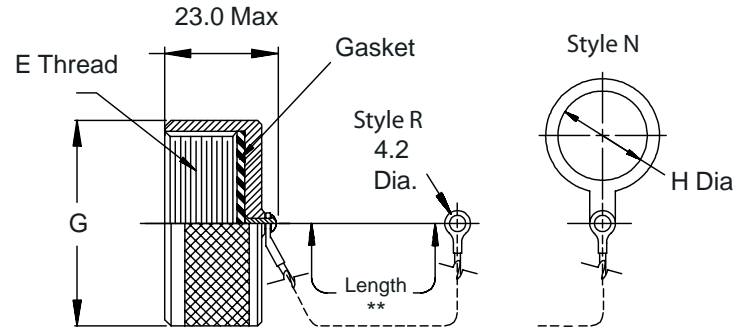


### COVERS

#### D38999/32 Plug Cover



#### D38999/33 Receptacle Cover



\*\* Rope Length 127.0 +13.0 -7.0

Shell Size	E Thread	F Max	G Max	H Min	J Min
9	.8250-0.1P-0.3L-TS	23.0	23.0	17.6	13.0
11	.7500-0.1P-0.3L-TS	26.0	28.0	22.0	18.0
13	.8750-0.1P-0.3L-TS	31.0	31.0	25.1	20.0
15	1.0000-0.1P-0.3L-TS	33.0	32.0	29.9	23.0
17	1.1875-0.1P-0.3L-TS	37.0	37.0	32.0	26.0
19	1.2500-0.1P-0.3L-TS	40.0	39.0	36.3	29.0
21	1.3750-0.1P-0.3L-TS	44.0	42.0	38.3	32.0
23	1.5000-0.1P-0.3L-TS	46.0	45.0	42.6	34.0
25	1.6250-0.1P-0.3L-TS	50.0	49.0	44.5	39.0

1. For complete dimensions see applicable Military Specification.

#### D38999/32 W 15 R

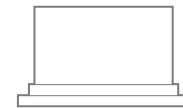
Basic Part No. \_\_\_\_\_  
 D38999/32 = Plug Cover  
 D38999/33 = Receptacle Cover

Material and Finish \_\_\_\_\_  
 ☺ W = Aluminum, 500 Hour Cadmium  
 Olive Drab  
 J = Composite, Cadmium Olive Drab  
 M = Composite, Electroless Nickel

Shell Size \_\_\_\_\_

Attachment Style (R or N) \_\_\_\_\_

### PLASTIC DUST CAPS



Shell size	Plastic dust caps for plug	Plastic dust caps for receptacles
9	3730000020	3730000019
11	3730000032	3730000020
13	3730000028	3730000021
15	3730000024	3730000022
17	3730000025	3730000023
19	3730000026	3730000024
21	3730000271	3730000025
23	3730000030	3730000026
25	3730000030	3730000271