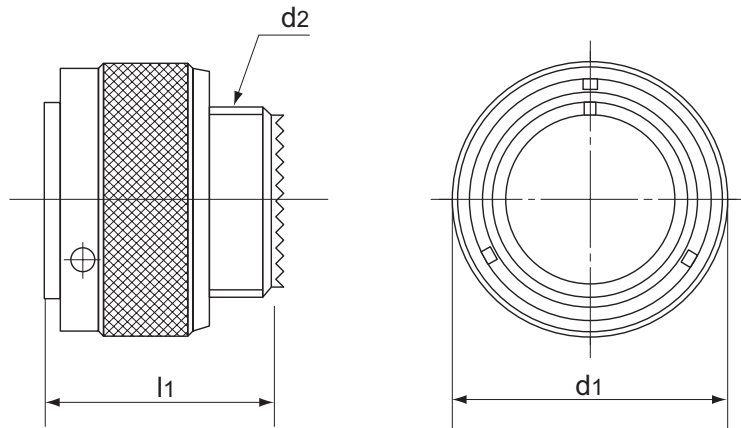


Plug without accessories. CIRG type has "RFI" shield spring (for shielding characteristics see page Electrical Data section).



Important

Connectors are supplied (as in the picture) only when accessories are ordered separately. Consult factory.

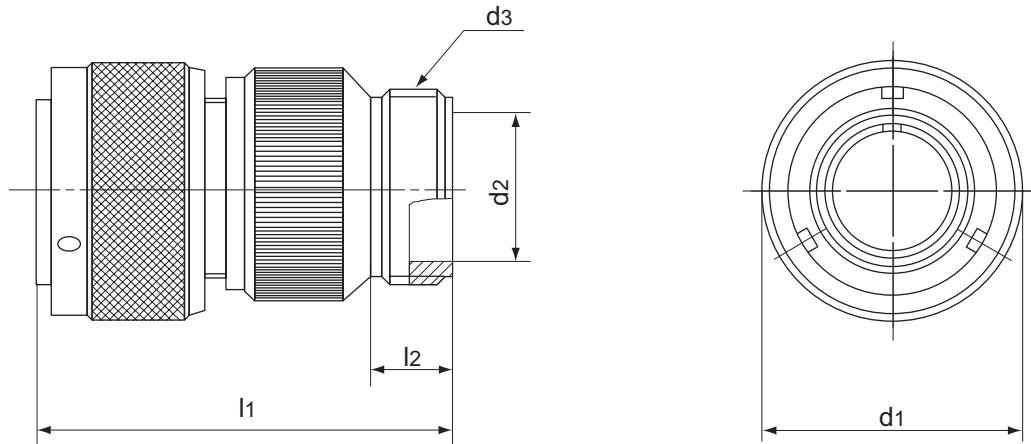
Shell Size	d1 max.	d2 Thread in inches	l1 ± 0,3
10SL	22,8 0.90	5/8 - 24 UNEF-2A	24,6 0.97
14S	29,2 1.15	3/4 - 20 UNEF-2A	24,6 0.97
16S	32 1.26	7/8 - 20 UNEF-2A	24,6 0.97
16	32 1.26	7/8 - 20 UNEF-2A	34,1 1.34
18	36,5 1.44	1" - 20 UNEF-2A	34,1 1.34
20	39,9 1.57	1"1/8 - 18 UNEF-2A	34,1 1.34
22	43,1 1.70	1"1/4 - 18 UNEF-2A	34,1 1.34
24	46,6 1.83	1"3/8 - 18 UNEF-2A	35,7 1.40
28	53,4 2.10	1"5/8 - 18 UNEF-2A	35,7 1.40
32	60,1 2.37	1"7/8 - 16 UN-2A	37,3 1.47
36	66,3 2.61	2" 1/16 - 16 UN-2A	37,3 1.47
40	72,5 2.85	2"5/16 - 16 UN-2A	37,3 1.47



veam CIR Series Connectors

CIR06A/R

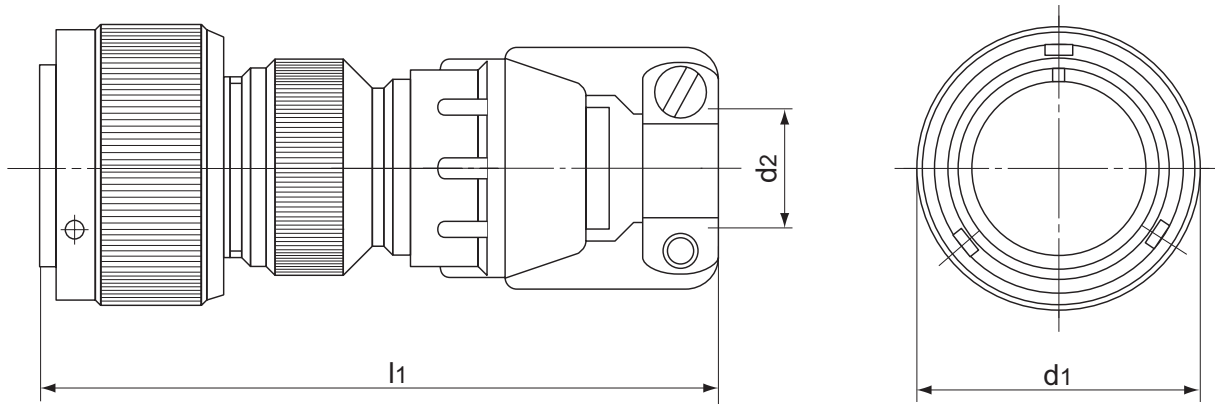
Straight plug with backshell. CIRG type has "RFI" shield spring (for shielding characteristics see Electrical Data section). R type has an individual wire sealing grommet.



Shell Size	d1 max.	d2 +0,1 -0	d3 Thread in inches	l1 max.	l2 min.
10SL	22,8 0.90	10,4 0.41	5/8 -24 UNEF-2A	43 1.69	9,5 0.37
14S	29,2 1.15	13,2 0.52	3/4 -20 UNEF-2A	47 1.85	9,5 0.37
16S	32 1.26	16,2 0.64	7/8 -20 UNEF-2A	47 1.85	9,5 0.37
16	32 1.26	16,2 0.64	7/8 -20 UNEF-2A	58 2.28	9,5 0.37
18	36,5 1.44	19,2 0.75	1" -20 UNEF-2A	58 2.28	9,5 0.37
20	39,9 1.57	22 0.87	1"3/16 -18 UNEF-2A	58 2.28	9,5 0.37
22	43,1 1.70	24,5 0.96	1"3/16 -18 UNEF-2A	59 2.32	9,5 0.37
24	46,6 1.83	27,8 1.09	1"7/16 -18 UNEF-2A	61 2.40	9,5 0.37
28	53,4 2.10	31,2 1.23	1"7/16 -18 UNEF-2A	67 2.64	9,5 0.37
32	60,1 2.37	37,8 1.49	1"3/4 -18 UNS-2A	71 2.79	11 0.43
36	66,3 2.61	45 1.77	2" -18 UNS-2A	71 2.79	11,8 0.46
40	72,5 2.85	51,2 2.01	2"1/4 -16 UN-2A	86 3.38	11,8 0.46



Straight plug with cable clamp and seal for jacketed cables. CFZ type also has an individual wire sealing grommet.



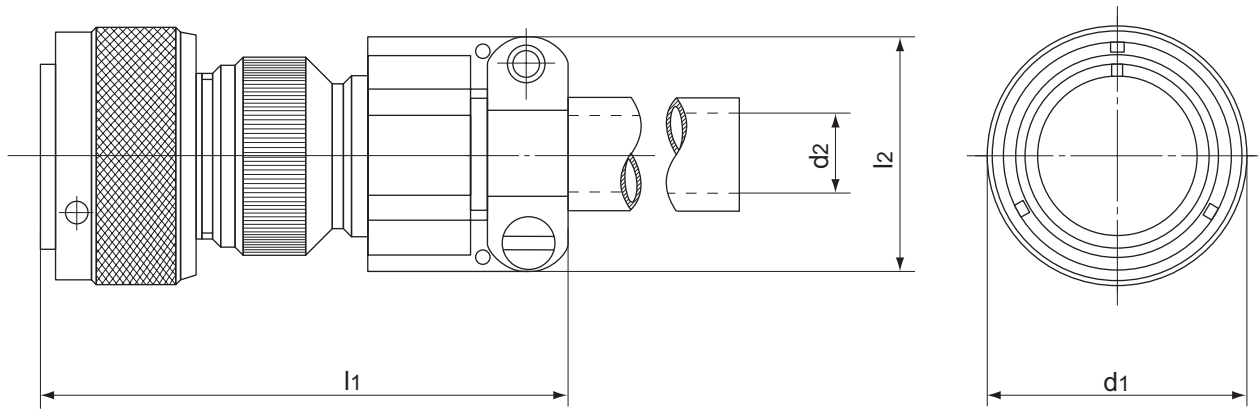
Shell Size	d1 max.	d2 Closed	l1 max.
10SL	22,8 0.90	2,38 .094	73 2.87
14S	29,2 1.15	6,35 .25	77 3.03
16S	32 1.26	8,0 .315	77 3.03
16	32 1.26	8,0 .315	88 3.46
18	36,5 1.44	9,6 .378	91 3.58
20	39,9 1.57	11,3 .445"	91 3.58
22	43,1 1.70	11,3 .445	92 3.62
24	46,6 1.83	15,5 .610"	97 3.82
28	53,4 2.10	15,5 .610	103 4.05
32	60,1 2.37	23,4 .921	113 4.45
36	66,3 2.61	23,4 .921	120 4.72
40	72,5 2.85	29,9 1.177	135 5.31



veam CIR Series Connectors

CIR06F/AF

Straight plug with an individual wire sealing grommet and cable clamp with bushing. AF type has no grommet.



Shell Size	d1 max.	d2* max.	l1 max.	l2 max.
10SL	22,8 0.90	5,6 0.22	64 2.52	22,7 0.89
14S	29,2 1.15	7,9 0.31	69 2.72	27,5 1.08
16S	32 1.26	11 0.43	71 2.79	30 1.18
16	32 1.26	11 0.43	82 3.23	30 1.18
18	36,5 1.44	14,2 0.56	82 3.23	32,2 1.27
20	39,9 1.57	15,8 0.62	82 3.23	37,5 1.48
22	43,1 1.70	15,8 0.62	83 3.27	37,5 1.48
24	46,6 1.83	19 0.75	87 3.42	43,3 1.70
28	53,4 2.10	19 0.75	93 3.66	43,3 1.70
32	60,1 2.37	23,8 0.94	99 3.90	51,7 2.03
36	66,3 2.61	31,7 1.25	100 3.94	58 2.28
40	72,5 2.85	34,9 1.37	128 5.04	68,5 2.70

* max permissible outside diameter of cable

