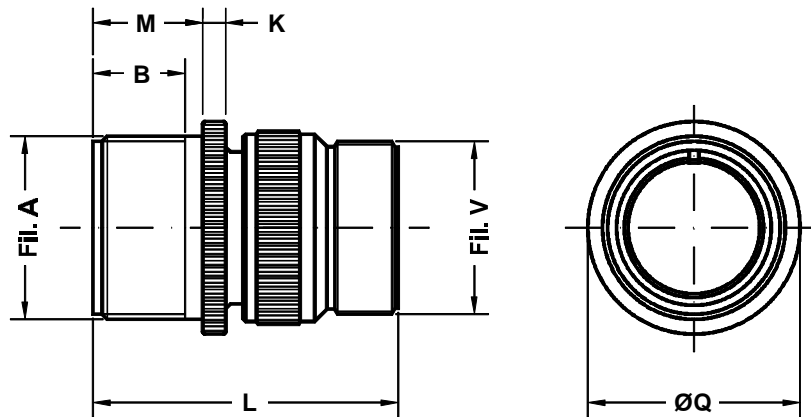


Conector recto para prolongación aérea In-line receptacle



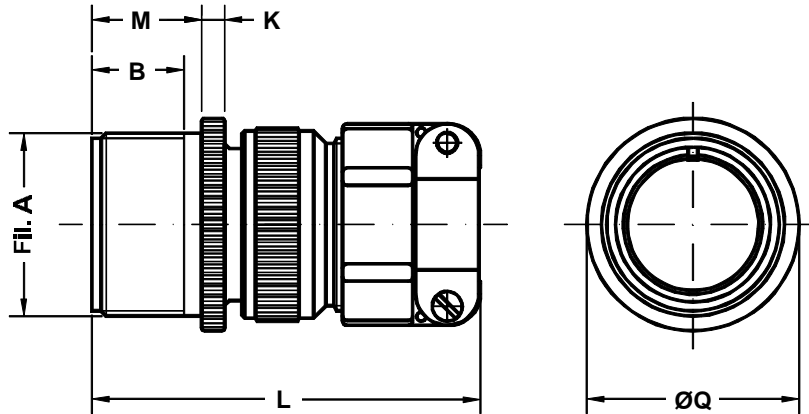
Ej. / Ex. : SCP3101A20-27P

Dimensiones del conector Shell Size	Rosca A A thread	B m in.	K ±0.2	L M a x.	M +0.2 -0	Q ±0.2	File tto V V thre a d
10 S L	0.6250 - 24U N E F	11	2.8	44.0	14.3	21.6	0.6250 - 24U N E F
12 S	0.7500 - 20U N E F	11	2.8	44.0	14.3	24.9	0.6250 - 24U N E F
12	0.7500 - 20U N E F	16	2.8	51.5	19.1	24.9	0.6250 - 24U N E F
14 S	0.8750 - 20U N E F	11	3.3	46.4	14.5	28.8	0.7500 - 20U N E F
14	0.8750 - 20U N E F	16	3.3	53.0	19.1	28.8	0.7500 - 20U N E F
16 S	1.0000 - 20U N E F	11	3.3	46.4	14.5	30.6	0.8750 - 20U N E F
16	1.0000 - 20U N E F	16	3.3	57.8	19.1	30.6	0.8750 - 20U N E F
18	1.1250 - 18U N E F	16	4.0	57.8	19.1	33.7	1.0000 - 20U N E F
20	1.2500 - 18U N E F	16	4.0	58.1	19.1	36.9	1.1875 - 18U N E F
22	1.3750 - 18U N E F	16	4.0	58.1	19.6	39.5	1.1875 - 18U N E F
24	1.5000 - 18U N E F	17	4.0	59.7	20.6	43.9	1.4375 - 18U N E F
28	1.7500 - 18U N S	17	4.0	66.2	20.0	49.2	1.4375 - 18U N E F
32	2.0000 - 18U N S	17	4.0	71.3	22.3	55.8	1.7500 - 18U N S
36	2.2500 - 16U N	17	4.0	76.8	22.3	62.3	2.0000 - 18U N S
40	2.5000 - 16U N	17	4.0	76.8	22.3	68.5	2.2500 - 16U N

Conector recto para prolongación aérea. Incluye adaptador con mecanizado posterior para brida MS3057 - XX A/B/C
En la versión clase R se incluye zócalo estanco (grommet).

In-line receptacle.
Includes backshell for cable clamp MS3057-XX A/B/C.
The R class includes insulating grommet.

Conector recto para prolongación aérea In-line receptacle



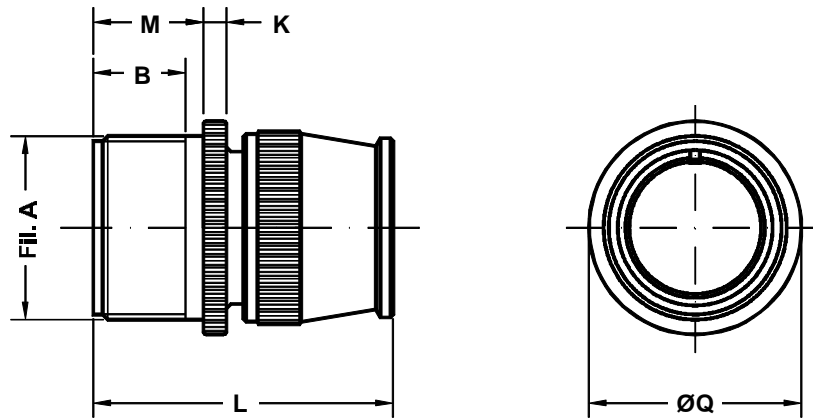
Ej./Ex. :SCP3101F20-27P

Dimensiones del conector Shell Size	Rosca A A thread	B min.	K ±0.2	L Max.	M +0.2 -0	Q ±0.2
10 S L	0.6250 - 24U N E F	11	2.8	55.0	14.3	21.6
12 S	0.7500 - 20U N E F	11	2.8	55.0	14.3	24.9
12	0.7500 - 20U N E F	16	2.8	62.5	19.1	24.9
14 S	0.8750 - 20U N E F	11	3.3	58.4	14.5	28.8
14	0.8750 - 20U N E F	16	3.3	65.0	19.1	28.8
16 S	1.0000 - 20U N E F	11	3.3	60.4	14.5	30.6
16	1.0000 - 20U N E F	16	3.3	71.8	19.1	30.6
18	1.1250 - 18U N E F	16	4.0	77.8	19.1	33.7
20	1.2500 - 18U N E F	16	4.0	74.0	19.1	36.9
22	1.3750 - 18U N E F	16	4.0	74.0	19.6	39.5
24	1.5000 - 18U N E F	17	4.0	76.7	20.6	43.9
28	1.7500 - 18U N S	17	4.0	83.2	20.0	49.2
32	2.0000 - 18U N S	17	4.0	90.3	22.3	55.8
36	2.2500 - 16U N	17	4.0	96.8	22.3	62.3
40	2.5000 - 16U N	17	4.0	115.8	22.3	68.5

Conector recto para prolongación aérea.
Incluye zócalo estanco (grommet), adaptador
con mecanizado posterior y brida tipo A
(MS3057) para cable.

In-line receptacle.
Includes insulating grommet, backshell and
class A cable clamp MS3057.

Conector recto para prolongación aérea In-line receptacle



Ej./ Ex. :SCP3101R20-27P

Dimensiones del conector Shell Size	Rosca A A thread	B m in .	K ±0.2	L M a x .	M +0.2 -0	Q ±0.2
10 S L	0.6250 - 24 U N E F	11	2.8	38.0	14.3	21.6
12 S	0.7500 - 20 U N E F	11	2.8	38.0	14.3	24.9
12	0.7500 - 20 U N E F	16	2.8	45.5	19.1	24.9
14 S	0.8750 - 20 U N E F	11	3.3	47.5	14.5	28.8
14	0.8750 - 20 U N E F	16	3.3	52.5	19.1	28.8
16 S	1.0000 - 20 U N E F	11	3.3	45.5	14.5	30.6
16	1.0000 - 20 U N E F	16	3.3	55.5	19.1	30.6
18	1.1250 - 18 U N E F	16	4.0	55.5	19.1	33.7
20	1.2500 - 18 U N E F	16	4.0	55.5	19.1	36.9
22	1.3750 - 18 U N E F	16	4.0	55.5	19.6	39.5
24	1.5000 - 18 U N E F	17	4.0	58.5	20.6	43.9
28	1.7500 - 18 U N S	17	4.0	58.5	20.0	49.2
32	2.0000 - 18 U N S	17	4.0	58.5	22.3	55.8
36	2.2500 - 16 U N	17	4.0	58.5	22.3	62.3
40	2.5000 - 16 U N	17	4.0	58.5	22.3	68.5

Conector recto para prolongación aérea. Incluye zócalo estanco (grommet) y cuello posterior. Para uso con conductores individuales.

In-line receptacle. Includes insulating grommet and backshell. For use with individual wires.