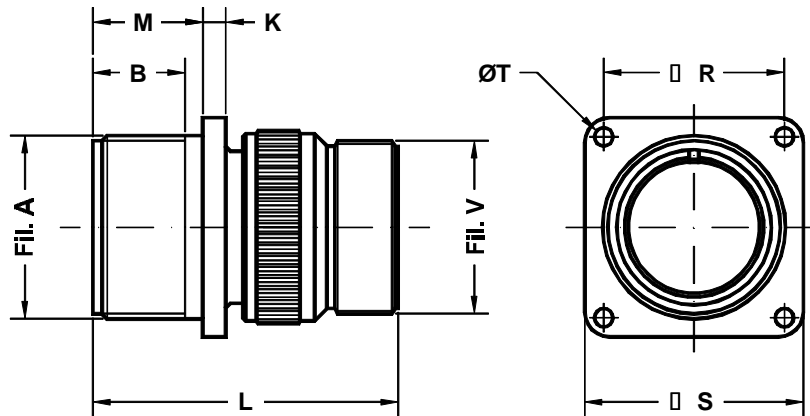


## Conector para panel Wall mounting receptacle



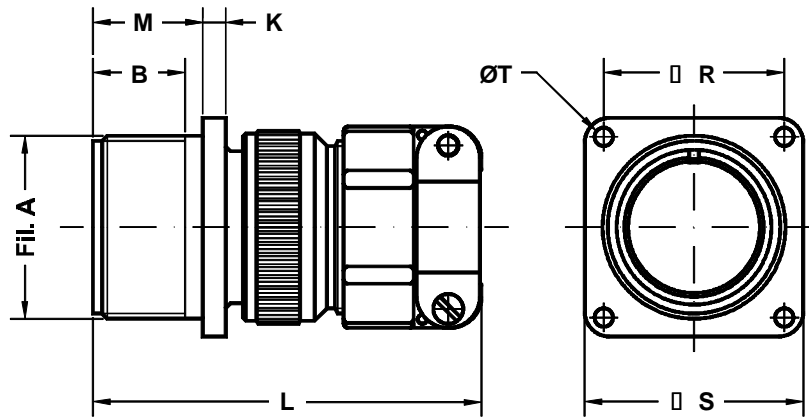
Ej. / Ex. :SCP3100A20-27P

Dimensiones del conector Shell Size	Rosca A A thread	B min.	K ±0.2	L Max.	M +0.2 -0	R ±0.1	S ±0.2	T +0.1 -0	Rosca V V thread
10 SL	0.6250 - 24UNEF	11	2.8	44.0	14.3	18.25	25.4	3.2	0.6250 - 24UNEF
12 S	0.7500 - 20UNEF	11	2.8	44.0	14.3	20.60	27.8	3.2	0.6250 - 24UNEF
12	0.7500 - 20UNEF	16	2.8	51.5	19.1	20.60	27.8	3.2	0.6250 - 24UNEF
14 S	0.8750 - 20UNEF	11	3.3	46.4	14.5	23.00	30.0	3.2	0.7500 - 20UNEF
14	0.8750 - 20UNEF	16	3.3	53.0	19.1	23.00	30.0	3.2	0.7500 - 20UNEF
16 S	1.0000 - 20UNEF	11	3.3	46.4	14.5	24.60	32.5	3.2	0.8750 - 20UNEF
16	1.0000 - 20UNEF	16	3.3	57.8	19.1	24.60	32.5	3.2	0.8750 - 20UNEF
18	1.1250 - 18UNEF	16	4.0	57.8	19.1	27.00	35.0	3.2	1.0000 - 20UNEF
20	1.2500 - 18UNEF	16	4.0	58.1	19.1	29.40	38.0	3.2	1.1875 - 18UNEF
22	1.3750 - 18UNEF	16	4.0	58.1	19.6	31.75	41.0	3.2	1.1875 - 18UNEF
24	1.5000 - 18UNEF	17	4.0	59.7	20.6	34.90	44.5	3.7	1.4375 - 18UNEF
28	1.7500 - 18UNS	17	4.0	66.2	20.0	39.70	50.9	3.7	1.4375 - 18UNEF
32	2.0000 - 18UNS	17	4.0	71.3	22.3	44.45	57.0	4.3	1.7500 - 18UNS
36	2.2500 - 16UN	17	4.0	76.8	22.3	49.20	63.5	4.3	2.0000 - 18UNS
40	2.5000 - 16UN	17	4.0	76.8	22.3	55.55	69.9	4.3	2.2500 - 16UN

Conector de base cuadrada para panel.  
Incluye adaptador con mecanizado posterior  
para abrazadera de cable MS3057 - XX A/B/C.  
Zócalo estanco no incluido.

Wall mounting receptacle.  
Includes backshell for cable clamp  
SCPB3057-XX A/B/C.  
No grommet supplied .

## Conector para panel Wall mounting receptacle



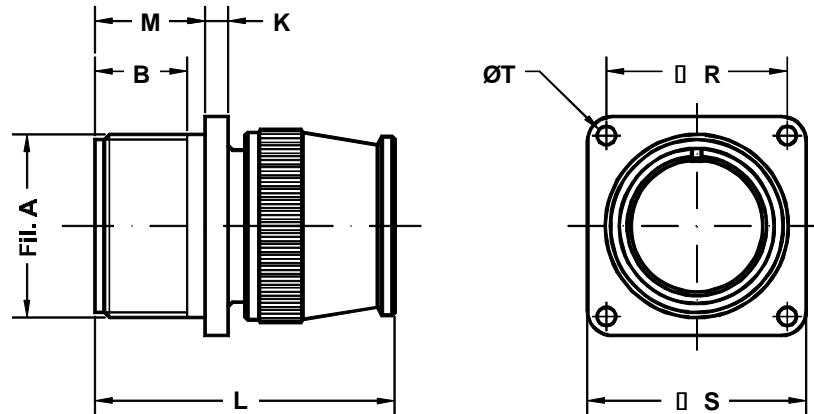
Ej./ Ex. : SCP3100F20-27P

Dimensiones del conector Shell Size	Filetto A A thread	B m in .	K ±0.2	L M a x .	M +0.2 -0	R ±0.1	S ±0.2	T +0.1 -0
10 S L	0.6250 - 24UNEF	11	2.8	55.0	14.3	18.25	25.4	3.2
12 S	0.7500 - 20UNEF	11	2.8	55.0	14.3	20.60	27.8	3.2
12	0.7500 - 20UNEF	16	2.8	62.5	19.1	20.60	27.8	3.2
14 S	0.8750 - 20UNEF	11	3.3	58.4	14.5	23.00	30.0	3.2
14	0.8750 - 20UNEF	16	3.3	65.0	19.1	23.00	30.0	3.2
16 S	1.0000 - 20UNEF	11	3.3	60.4	14.5	24.60	32.5	3.2
16	1.0000 - 20UNEF	16	3.3	71.8	19.1	24.60	32.5	3.2
18	1.1250 - 18UNEF	16	4.0	77.8	19.1	27.00	35.0	3.2
20	1.2500 - 18UNEF	16	4.0	74.0	19.1	29.40	38.0	3.2
22	1.3750 - 18UNEF	16	4.0	74.0	19.6	31.75	41.0	3.2
24	1.5000 - 18UNEF	17	4.0	76.7	20.6	34.90	44.5	3.7
28	1.7500 - 18UNS	17	4.0	83.2	20.0	39.70	50.9	3.7
32	2.0000 - 18UNS	17	4.0	90.3	22.3	44.45	57.0	4.3
36	2.2500 - 16UN	17	4.0	96.8	22.3	49.20	63.5	4.3
40	2.5000 - 16UN	17	4.0	115.8	22.3	55.55	69.9	4.3

Conector de base cuadrada para panel.  
Incluye zócalo estanco (grommet), adaptador  
con mecanizado posterior y brida tipo A  
(MS3057) para cable.

Wall mounting receptacle.  
Includes insulating grommet, backshell and  
class A cable clamp MS3057.

## Conector para panel Wall mounting receptacle



Ej. / Ex. :SCP3100R20-27P

Dimensiones del conector Shell Size	Rosca A A thread	B m in .	K ±0.2	L M a x .	M +0.2 -0	R ±0.1	S ±0.2	T +0.1 -0
10 S L	0.6250 - 24UNEF	11	2.8	38.0	14.3	18.25	25.4	3.2
12 S	0.7500 - 20UNEF	11	2.8	38.0	14.3	20.60	27.8	3.2
12	0.7500 - 20UNEF	16	2.8	45.5	19.1	20.60	27.8	3.2
14 S	0.8750 - 20UNEF	11	3.3	47.5	14.5	23.00	30.0	3.2
14	0.8750 - 20UNEF	16	3.3	52.5	19.1	23.00	30.0	3.2
16 S	1.0000 - 20UNEF	11	3.3	45.5	14.5	24.60	32.5	3.2
16	1.0000 - 20UNEF	16	3.3	55.5	19.1	24.60	32.5	3.2
18	1.1250 - 18UNEF	16	4.0	55.5	19.1	27.00	35.0	3.2
20	1.2500 - 18UNEF	16	4.0	55.5	19.1	29.40	38.0	3.2
22	1.3750 - 18UNEF	16	4.0	55.5	19.6	31.75	41.0	3.2
24	1.5000 - 18UNEF	17	4.0	58.5	20.6	34.90	44.5	3.7
28	1.7500 - 18UNS	17	4.0	58.5	20.0	39.70	50.9	3.7
32	2.0000 - 18UNS	17	4.0	58.5	22.3	44.45	57.0	4.3
36	2.2500 - 16UN	17	4.0	58.5	22.3	49.20	63.5	4.3
40	2.5000 - 16UN	17	4.0	58.5	22.3	55.55	69.9	4.3

Conector de base cuadrada para panel.  
Incluye zócalo estanco (grommet) y cuello  
posterior. Para uso con conductores  
individuales.

Wall mounting receptacle.  
Includes insulating grommet and backshell.  
For use with individual wires.