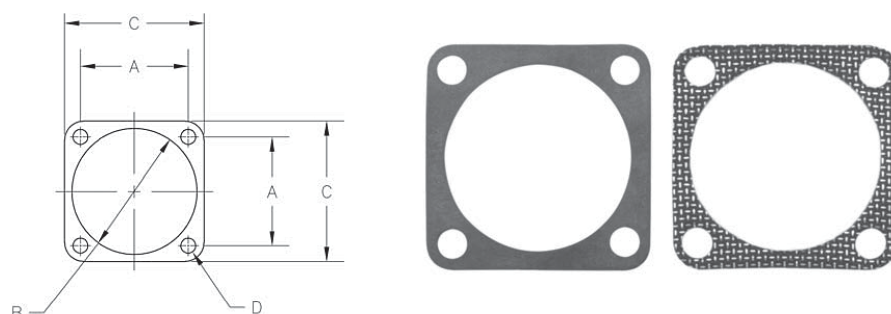


Sealing Gaskets



Size	A +/-		B rear mount +		B front mount +		C +/-		D +	
	mm	inches	mm	inches	mm	inches	mm	inches	mm	inches
10SL	18.2	0.716	18.2	0.716	15.7	0.625	25.4	1	4.2	0.165
14S	23	0.905	24.6	0.968	22.1	0.874	30	1.181	4.2	0.165
16S /16	24.6	0.968	27.4	1.079	25.3	1	32.5	1.279	4.2	0.165
18	27	1.063	30.8	1.212	28.4	1.126	35	1.378	4.2	0.165
20	29.4	1.157	34.2	1.346	31.6	1.248	38	1.496	4.2	0.165
22	31.8	1.252	37.4	1.472	34.8	1.374	41	1.614	4.2	0.165
24	34.9	1.374	40.9	1.610	38	1.5	44.5	1.752	4.2	0.165
28	39.7	1.563	46.7	1.838	44.3	1.75	50.8	2	5.2	0.204
32	44.5	1.752	53.4	2.102	50.7	1.996	57	2.244	5.2	0.204
36	49.2	1.937	59.6	2.346	57	2.188	62.5	2.5	5.2	0.204
40	55.6	2.189	65.7	2.586	61.9	2.437	69.9	2.752	5.2	0.204

Shell Size	REAR PANEL MOUNT (O30): Part # Base 46739-XX						FRONT PANEL MOUNT (CIR00 & CIR020)					
	N	NS	SC	S*	F	FR	N	NS	SC	S	F	FR
10SL	10	10/1	10/2C	10/2	10/3	10/FR	16950	16950/1	16950/2C	16950/2	16950/3	16950/FR
14S	14	14/1	14/2C	14/2	14/3	14/FR	16952	16952/1	16952/2C	16952/2	16952/3	16952/FR
16S /16	16	16/1	16/2C	16/2	16/3	16/FR	16953	16953/1	16953/2C	16953/2	16953/3	16953/FR
18	18	18/1	18/2C	18/2	18/3	18/FR	16954	16954/1	16954/2C	16954/2	16954/3	16954/FR
20	20	20/1	20/2C	20/2	20/3	20/FR	16955	16955/1	16955/2C	16955/2	16955/3	16955/FR
22	22	22/1	22/2C	22/2	22/3	22/FR	16956	16956/1	16956/2C	16956/2	16956/3	16956/FR
24	24	24/1	24/2C	24/2	24/3	24/FR	16957	16957/1	16957/2C	16957/2	16957/3	16957/FR
28	28	28/1	28/2C	28/2	28/3	28/FR	16958	16958/1	16958/2C	16958/2	16958/3	16958/FR
32	32	32/1	32/2C	32/2	32/3	32/FR	16959	16959/1	16959/2C	16959/2	16959/3	16959/FR
36	36	36/1	36/2C	36/2	36/3	36/FR	16960	16960/1	16960/2C	16960/2	16960/3	16960/FR
40	40	40/1	40/2C	40/2	40/3	40/FR	16968	16968/1	16968/2C	16968/2	16968/3	16968/FR

Note-

- Type FR- Flame retardant: (thickness 1+-0.4). Consult Factory
- Type N - Neoprene: (thickness 1+-0.4) Consult Factory
- Type S - Silicone: (thickness 1+-0.4) Consult Factory
- Type NS - Silicone Conductive. Consult Factory - Thickness - 0.5 ±0.2
- Type F - Viton*: Consult Factory - thickness 1+-0.4
- Type SC - Silicone, black, conductive, nickel graphite filler. Consult Factory
- Tin plated for RFI shielding. - Thickness - 0.5 ± 0.2 mm. Consult Factory

Operating Temperatures

- -55° C. to 125° C. - Neoprene
- -55° C. to 200° C. - Silicone
- -25° C. to 200° C. - Viton*
- -40° C. to 125° C. - Flame Retardant.

*Trademark Dupont

