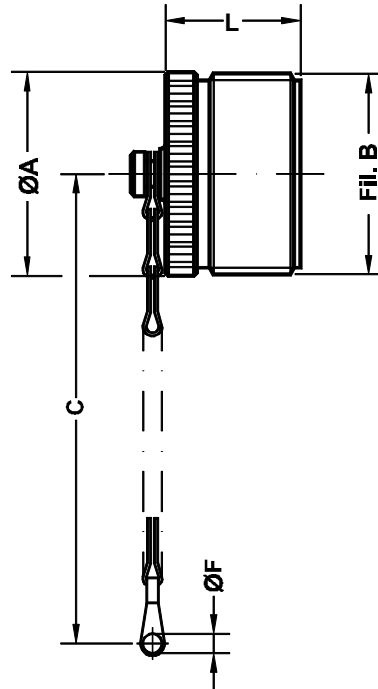


Tapón de rosca exterior para conectores aéreos Threaded cap for plug connectors

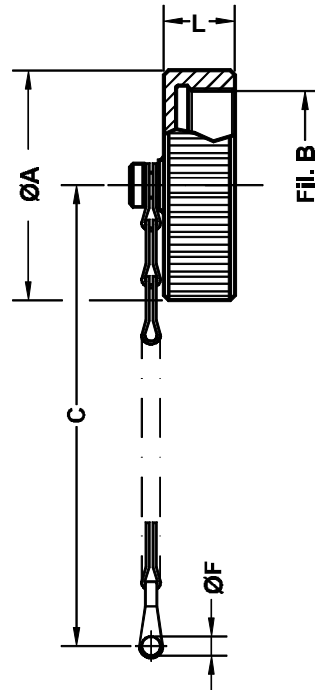


Código	Dimens. conn.	A	Rosca B	C	F	L
P/N	Connector size		B thread	min.	+0.25 -0.13	
SCP25042 - 10D	10S - 10SL	17.4	0.6250 - 24UNEF	102	3.95	16.6
SCP25042 - 12D	12 - 12S	20.6	0.7500 - 20UNEF	115	3.95	21.4
SCP25042 - 14D	14 - 14S	23.7	0.8750 - 20UNEF	115	3.95	21.4
SCP25042 - 16D	16 - 16S	26.9	1.0000 - 20UNEF	115	3.95	21.4
SCP25042 - 18D	18	30.0	1.1250 - 18UNEF	115	3.95	21.4
SCP25042 - 20D	20	33.0	1.2500 - 18UNEF	127	4.80	21.4
SCP25042 - 22D	22	36.4	1.3750 - 18UNEF	127	4.80	21.4
SCP25042 - 24D	24	39.6	1.5000 - 18UNEF	140	4.80	21.4
SCP25042 - 28D	28	46.0	1.7500 - 18UNS	197	4.80	21.4
SCP25042 - 32D	32	52.0	2.0000 - 18UNS	197	5.60	21.4
SCP25042 - 36D	36	58.7	2.2500 - 16UN	197	5.60	21.4
SCP25042 - 40D	40	65.0	2.5000 - 16UN	197	5.60	21.4

Tapón metálico com cadena de acero
inoxidable.

Metal cap with stainless steel chain .

Tapón de rosca interior para conector de panel
Threaded cap for receptacle connectors

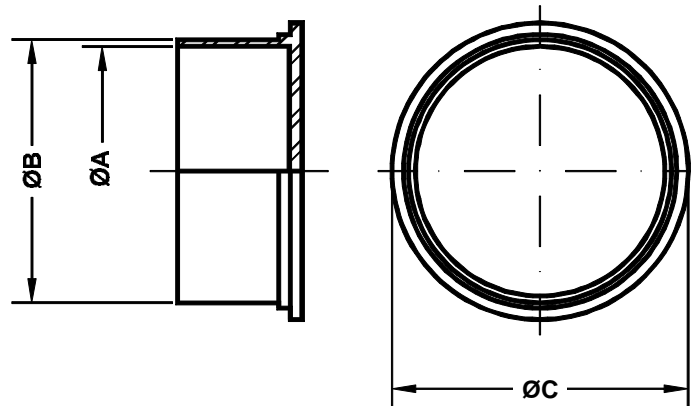


Código	Dimens. conn.	A	Rosca B	C	L	F
P /N	Connector size		B thread	min.		+0.25 -0.13
SCP 25043 - 10D	10S - 10SL	20.7	0.6250 - 24UNEF	102	11.9	3:55
SCP 25043 - 12D	12 - 12S	25.4	0.7500 - 20UNEF	115	11.9	3:55
SCP 25043 - 14D	14 - 14S	28.6	0.8750 - 20UNEF	115	11.9	3:55
SCP 25043 - 16D	16 - 16S	30.2	1.0000 - 20UNEF	115	11.9	3:55
SCP 25043 - 18D	18	34.1	1.1250 - 18UNEF	115	11.9	3:55
SCP 25043 - 20D	20	37.3	1.2500 - 18UNEF	127	11.9	3:55
SCP 25043 - 22D	22	40.4	1.3750 - 18UNEF	127	11.9	3:55
SCP 25043 - 24D	24	43.6	1.5000 - 18UNEF	140	11.9	4:30
SCP 25043 - 28D	28	50.0	1.7500 - 18UNS	197	13.5	4:30
SCP 25043 - 32D	32	56.3	2.0000 - 18UNS	197	13.5	4.80
SCP 25043 - 36D	36	62.7	2.2500 - 16UN	197	13.5	4.80
SCP 25043 - 40D	40	69.0	2.5000 - 16UN	197	13.5	4.80

Tapón metálico com cadena de acero
inoxidable.

Metal cap with stainless steel chain .

Tapón de plástico antipolvo Protective plastic cap



Código P/N	Dimens. Con. Shell size	A ±0.25	B ±0.25	C ±0.78
SCP 90376 - 10Y	10SL	13.46	15.11	19.05
SCP 90376 - 10R		15.37	16.89	21.33
SCP 90376 - 12Y	12S	16.64	18.16	21.84
SCP 90376 - 12R		18.29	19.68	24.64
SCP 90376 - 14Y	14S	19.94	21.46	26.19
SCP 91376 - 14R		21.59	22.99	28.57
SCP 90376 - 16Y	16S - 16	22.68	24.46	28.57
SCP 90376 - 16R		23.80	26.29	30.99
SCP 90376 - 18Y	18	26.11	27.63	31.75
SCP 91376 - 18R		27.76	29.34	33.78
SCP 90376 - 20Y	20	29.21	30.86	35.71
SCP 90376 - 20R		31.28	33.04	37.21
SCP 90376 - 22Y	22	32.26	34.04	38.10
SCP 90376 - 22R		34.04	35.81	40.38
SCP 90376 - 24Y	24	35.30	37.08	41.66
SCP 90376 - 24R		37.16	38.94	43.18
SCP 90376 - 28Y	28	41.86	43.64	47.62
SCP 91376 - 28R		43.56	45.46	49.53
SCP 90376 - 32Y	32	48.00	50.04	53.97
SCP 90376 - 32R		49.91	51.82	56.39
SCP 90376 - 36Y	36	54.35	56.13	59.44
SCP 90376 - 36R		56.26	58.16	61.85
SCP 90376 - 40Y	40	60.45	62.23	66.04
SCP 90376 - 40R		61.98	64.26	67.56

Tapón de protección contra el polvo.
La versión "R" se utiliza en conectores de panel. La versión "Y" con conectores aéreos.

Cap for protection against dust.
The "R" version is for use with receptacles.
The "Y" version for plugs.