



# S.C.P. s.a.

Suministros de Conectores Profesionales, s.a.

## 31-320RFX

Fig. 1

BNC 3-Piece Crimp Plugs

36650-1003	68175-5RFX	31-320-1006	31-326	31-5557-RFX†
36650-3RFX	31-242	31-320-RFX	31-326-RFX	31-5558-RFX
36875	31-242-RFX	31-321	31-4320	31-5560-RFX†
68175-1003	31-315	31-321-1000	31-4321	31-5559-RFX
68175-1005	31-315-1005	31-321-RFX	31-4411	31-5559-1RFX
68175-1011	31-315-RFX	31-321-10RFX	31-4427	31-5556-1RFX
68175-11RFX	31-320	31-325	31-5556-RFX†	

Fig. 2

BNC Crimp Plugs

31-351
31-359
31-371

### BNC 3-PIECE CRIMP CABLE PLUGS

Cable RG-/U	Cable Attachment		Dimensions, inches (millimeters)			Notes			Military Number	Amphenol Number	Fig.
	Outer	Inner	a ■	b	c •	CAI	PIL	Ins.			
6 TYPE (.314 OD)	Crimp	Crimp	1.17(29.7)	.571(14.5)	.314(8.0)	C26	P7	D23	—	31-5558-RFX	1
55, 142, 223, 400	Crimp	Crimp	1.27(32.1)	.563(14.3)	.220(5.59)	C26	P15	D1	—	36875*	1
	Crimp	Crimp	1.20(30.5)	.563(14.3)	.220(5.59)	C26	P15	D1	M23329/3-02,3-04	31-326*	1
	Crimp	Crimp	1.11(28.2)	.563(14.3)	.220(5.59)	C26	P7	D26	—	31-326-RFX	1
58	Crimp	Press Fit	1.31(33.3)	.571(14.5)	.212(5.4)	C7R	P7	D23	—	31-5557-RFX†	1
58, 141	Crimp	Crimp	1.11(28.2)	.563(14.3)	☆	C26	P15	D26	—	31-5800	☆
	Crimp	Crimp	1.11(28.2)	.562(14.3)	.206(5.2)	C26	P15	D1	M23329/3-01,3-03	31-320*	1
	Crimp	Crimp	1.17(29.8)	.571(14.5)	.210(5.3)	C26	P7	D26	—	31-320-RFX	1
	Crimp	Solder	1.47(37.3)	.562(14.3)	.206(5.2)	C26b	P15	D1	—	31-351*	2
	Crimp	Crimp	1.09(27.8)	.563(14.3)	.206(5.23)	C26	P33	D1	M39012/16-0013	31-4320*	1
Plenum 58	Crimp	Crimp	1.28(32.6)	.571(14.5)	.181(4.6)	C26	P7	D26	—	36650-3RFX	1
59 (20 AWG Ctr. Contact)	Crimp	Press Fit	1.31(33.3)	.571(14.5)	.260(6.6)	C7R	P7	D23	—	31-5556-RFX†	1
59, 62, 140, 210, 302	Crimp	Crimp	1.11(28.2)	.563(14.3)	☆	C26	P15	D26	—	31-5900	☆
59	Crimp	Crimp	1.12(28.5)	.562(14.3)	.261(6.6)	C26	P15	D1	M23329/3-05	31-321*	1
	Crimp	Crimp	1.17(29.8)	.571(14.5)	.260(6.6)	C26	P7	D26	—	31-321-RFX	1
	Crimp	Solder	1.47(37.3)	.563(14.3)	.261(6.6)	C26b	P15	D1	—	31-359*	2
59 (20 AWG Ctr. Cond.)	Crimp	Crimp	1.12(28.5)	.562(14.3)	.261(6.6)	C26	P33	D1	M39012/16-0015	31-4321	1
	Crimp	Crimp	1.11(28.2)	.562(14.3)	.261(6.6)	C26	P15	D1	—	68175-1005	1
	Crimp	Crimp	1.17(29.8)	.571(14.5)	.260(6.6)	C26	P7	D26	—	68175-5RFX	1
142, 400	Crimp	Crimp	1.11(28.2)	.563(14.3)	.220(5.6)	C26	P33	D1	M39012/16-0503	31-4427*	1
Plenum 59, 62	Crimp	Crimp	1.28(32.6)	.571(14.5)	.212(5.4)	C26	P7	D26	—	68175-11RFX	1
	Crimp	Press Fit	1.31(33.3)	.571(14.5)	.212(5.4)	C7R	P7	D23	—	31-5560-RFX†	1
174, 179, 187, 188, 316	Crimp	Solder	1.34(34.1)	.563(14.3)	.128(3.25)	C26b	P15	D9	—	31-371*	2
174, 188, 316	Crimp	Crimp	1.19(30.2)	.562(14.3)	.125(3.2)	C26	P15	D1	—	31-315	☆
	Crimp	Crimp	1.19(30.2)	.571(14.5)	.106(2.7)	C26	P7	D23	—	31-315-RFX	1
179, 187	Crimp	Crimp	1.19(30.2)	.562(14.3)	.117(3.0)	C26	P15	D1	—	31-242*	1
	Crimp	Crimp	1.19(30.2)	.571(14.5)	.106(2.7)	C26	P7	D23	—	31-242-RFX	1
Dbl. Br. RG-316	Crimp	Crimp	1.11(28.2)	.562(14.3)	.135(3.4)	C26	P16	D1	—	31-315-1005	1
Belden 8213	Crimp	Crimp	1.59(40.5)	.562(14.3)	.418(10.6)	C26	P17	D1	—	31-4411	1
Belden 8218	Crimp	Crimp	1.11(28.2)	.562(14.3)	.175(4.4)	C26	P15	D1	—	31-325*	1
Belden 8281, 88281	Crimp	Crimp	1.21(30.7)	.562(14.3)	.342(8.7)	C26	P15	D1	—	31-321-1000*	1
	Crimp	Crimp	1.17(29.8)	.571(14.5)	.334(8.5)	C26	P7	D26	—	31-321-10RFX	1
Belden 9259	Crimp	Crimp	1.11(28.2)	.562(14.3)	.261(6.6)	C26	P15	D1	—	68175-1003	1
Belden 9907, 89907	Crimp	Crimp	1.11(28.2)	.562(14.3)	.196(5.0)	C26	P15	D1	—	31-320-1006	1
Belden 1560A, 82259, 89259, Plenum 59, 62	Crimp	Crimp	1.11(28.2)	.563(14.3)	.220(5.6)	C26	P15	D1	—	68175-1011	1
Belden 82907, 88240, 89907, Plenum 58	Crimp	Crimp	1.11(28.2)	.563(14.3)	.175(4.4)	C26	P15	D1	—	36650-1003	1
Plenum 58	Crimp	Press Fit	1.28(32.6)	.571(14.5)	.181(4.6)	C26	P7	D26	—	36650-3RFX	1
Plenum 58	Crimp	Press Fit	1.03(25.0)	.563(14.3)	.213(4.6)	C26	P7	D28	—	31-5559-1RFX	1
Plenum 58	Crimp	Press Fit	1.03(25.0)	.563(14.3)	.26(4.6)	C7R	P7	D23	—	31-5556-1RFX	1

Tel.: +34 91 355 60 06

e-mail: comercial@scp-sa.es

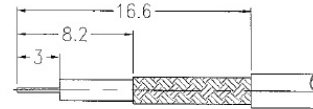


# S.C.P. s.a.

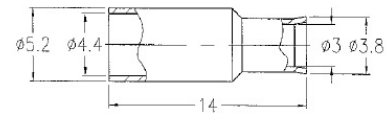
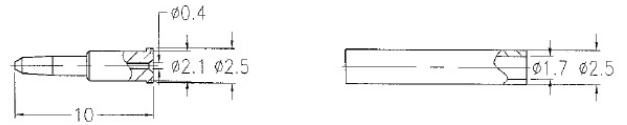
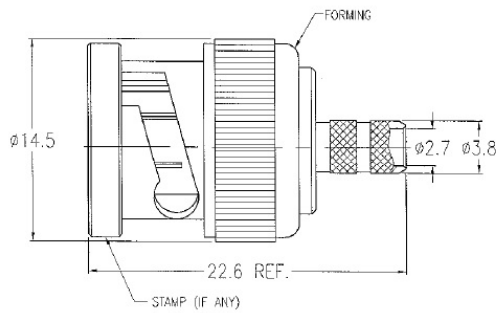
Suministros de Conectores Profesionales, s.a.

NOTES:

- MATERIALS AND FINISHES:  
BODY - BRASS, NICKEL PLATING  
BAYONET - ZINC DIECAST, NICKEL PLATING  
CONTACT - BRASS, GOLD PLATING  
INSULATOR - DELRIN
- ELECTRICAL:  
A. IMPEDANCE: 50 OHM  
B. FREQUENCY RANGE: DC 0-4 GHz  
C. VSWR(RETURN LOSS): 1.3 (17.7 dB), MAX.  
D. DIELECTRIC WITHSTANDING VOLTAGE: 1500 VRMS, MIN.
- MECHANICAL:  
A. DURABILITY: 500 CYCLES MIN.  
B. TEMPERATURE RANGE: - 65°C to +165°C



RECOMMENDED  
CABLE STRIPPING DIM'S



Tel.: +34 91 355 60 06  
e-mail: comercial@scp-sa.es