



S.C.P. s.a.

Suministros de Conectores
Profesionales, s.a.

M3901201-0503

Description

Named for Paul Neill of Bell Labs and developed in the 1940's. The Type N offered the first true microwave performance.

Type N connector was developed to satisfy the need for a durable, weatherproof medium size RF connector with consistent performance through 11 GHz.

There are two families of Type N connectors:

- Standard N (Coaxial Cable)
- Helical N (Corrugated Cable)

Primary applications are the termination of medium to miniature size coaxial cable:

RG-8 and RG-225

RG-58 and RG-141

Features/Benefits

- Accommodates a wide range of medium to miniature sized RG coaxial cables in a rugged medium size design. Provides customer flexibility in their design and manufacturing with a durable connector.
- Broad line of Military (M39012 prefix), Industrial (UG prefix), and Commercial Grade (RFX suffix) products available. Gives customer choices in weighing cost versus performance benefits.
- Available in many styles: Plugs (Straight and Right Angle) and Jacks (Panel Mount, Bulkhead Mount, Receptacle). Meets many customer application demands.

Application

- Antennas
- Base Stations
- Broadcast
- Cable Assemblies
- Components
- Instrumentation
- Mil-Aero
- Radar
- Radios
- Satcom
- Surge Protection
- WLAN

Type N

Specifications	226
Cable Plugs	227
Right Angle Plugs	228
Jacks	229-232
Receptacles, Accessories	234-235
Adapters	236

Helical N Corrugated Cable Connectors

Specifications	239
Plugs	240-241
Jacks	242-243

Tel.: +34 91 355 60 06
e-mail: comercial@scp-sa.es



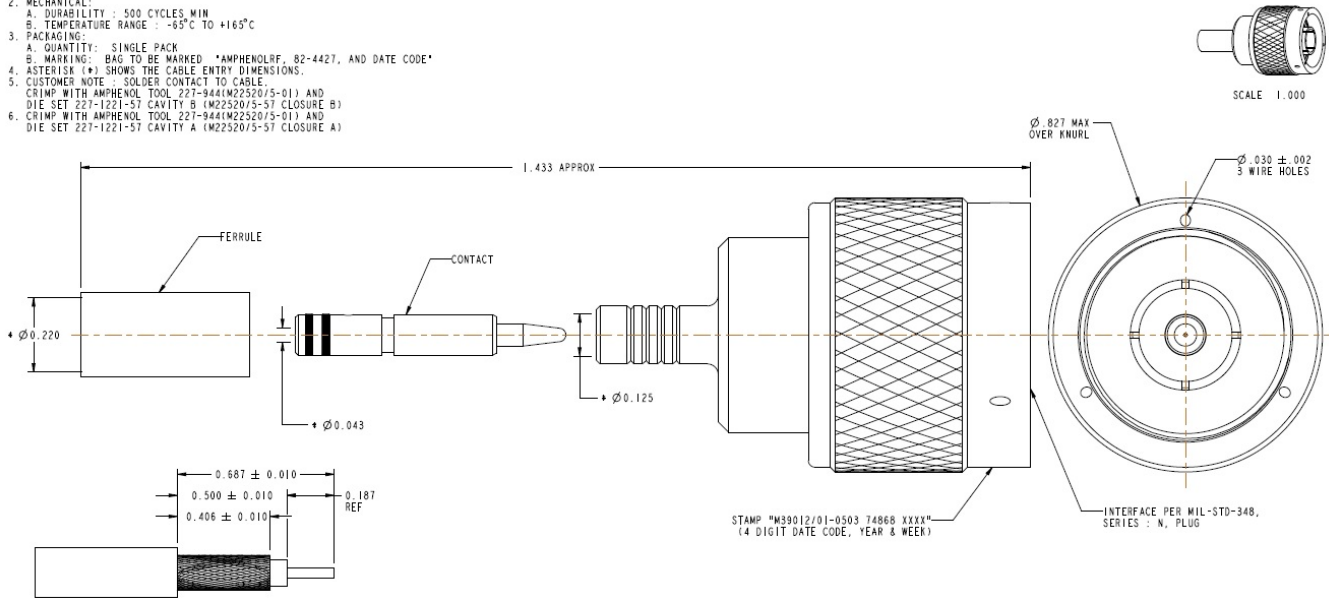
S.C.P. s.a.

Suministros de Conectores Profesionales, s.a.

NOTES:

1. MATERIALS AND FINISHES:
BODY - BRASS, SILVER PLATING
CONTACT - BRASS, GOLD PLATING
INSULATOR - PTFE
GASKET - SILICONE RUBBER
2. MECHANICAL:
A. DURABILITY : 500 CYCLES MIN
B. TEMPERATURE RANGE : -65°C TO +165°C
3. PACKAGING:
A. QUANTITY: SINGLE PACK
B. MARKING: BAG TO BE MARKED *AMPHENOLRF, 82-4427, AND DATE CODE*
4. ASTERISK (*) SHOWS THE CABLE ENTRY DIMENSIONS.
5. CUSTOMER NOTE: SOLDER CONTACT TO CABLE
CRIMP WITH AMPHENOL TOOL 227-944(M22520/5-01) AND DIE SET 227-1221-57 CAVITY B (M22520/5-57 CLOSURE B)
6. CRIMP WITH AMPHENOL TOOL 227-944(M22520/5-01) AND DIE SET 227-1221-57 CAVITY A (M22520/5-57 CLOSURE A)

MIL-C-39012 INSPECTION



Tel.: +34 91 355 60 06
e-mail: comercial@scp-sa.es