



S.C.P. s.a.

Suministros de Conectores Profesionales, s.a.

L17-DEFRA-09S-N

Materials and Platings	
Shell	Steel with nickel plating
Insulator	Glass-filled thermoplastic, UL 94V-0
Pin contacts	Brass, selected gold in mating area; 2.54µm (100µ") min. tin on termination area over 1.27µm (50µ") min. nickel
Socket contact	Phosphor bronze, selected gold in mating area; 2.54µm (100µ") min. tin on termination area over 1.27µm (50µ") min. nickel
Rear insert	Brass, 2.54µm (100µ") min. nickel plated
Screwlook	Brass, 2.54µm (100µ") min. nickel plated

Electrical Data	
Current rating	5A
Voltage rating	250V AC/rms 60Hz
Withstanding voltage	1000V AC/rms 60Hz for one minute
Insulation resistance	1000MΩ
Contact resistance	20mΩ max

Climatic Data	
Operating temperature	-40°C to +125°C

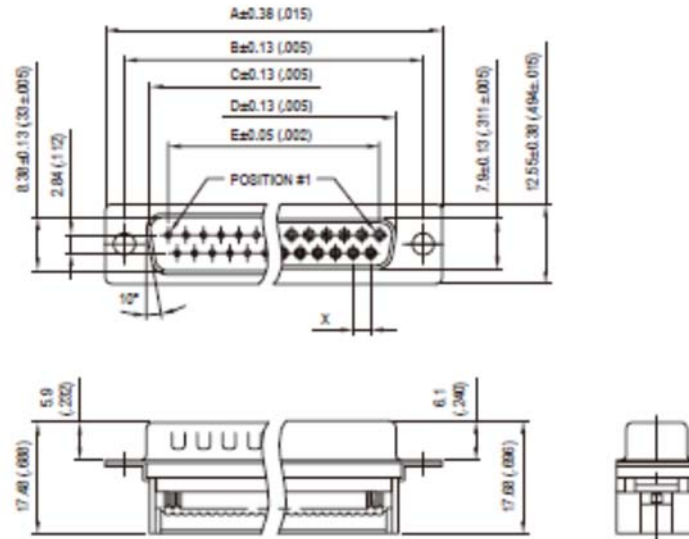
Mechanical Data		
Single contact insertion force	0.54kg (1.19lb) max	
Single contact withdrawal force	0.06kg (0.13lb) min	
Mating and unmating force		
Unit: kg (lb)		
No. of Cts	Mate (max)	Unmate (min)
9 (size E)	3.05 (6.74)	0.36 (0.79)
15 (size A)	5.09 (11.24)	0.46 (1.01)
25 (size B)	8.44 (18.66)	0.81 (1.8)
37 (size C)	12.51 (27.65)	1.1 (2.47)
Standard plating thicknesses		
* gold flash		
* 0.4µm (15µ") gold		
* 0.76 µm (30µ") gold		

Tel.: +34 91 355 60 06
e-mail: comercial@scp-sa.es



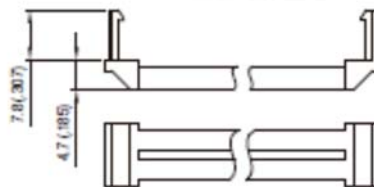
S.C.P. s.a.

Suministros de Conectores Profesionales, s.a.



Nb OF CONTACTS	DIMENSIONS mm (inch)					
	A	B	C	D	E	X
9	30.84 (1.21)	24.99 (.984)	18.92 (.666)	16.24 (.639)	11.09 (.437)	2.74
15	39.24 (1.54)	33.32 (1.31)	24.70 (.972)	24.56 (.967)	19.39 (.763)	2.74
25	53.04 (2.09)	47.04 (1.85)	36.95 (1.53)	36.36 (1.51)	33.24 (1.31)	2.77
37	69.32 (2.73)	63.50 (2.50)	55.42 (2.18)	54.76 (2.16)	49.86 (1.96)	2.77

STRAIN RELIEF



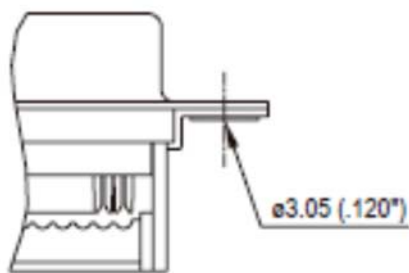
Tel.: +34 91 355 60 06
e-mail: comercial@scp-sa.es



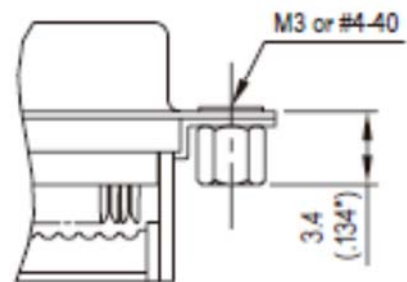
S.C.P. s.a.

Suministros de Conectores
Profesionales, s.a.

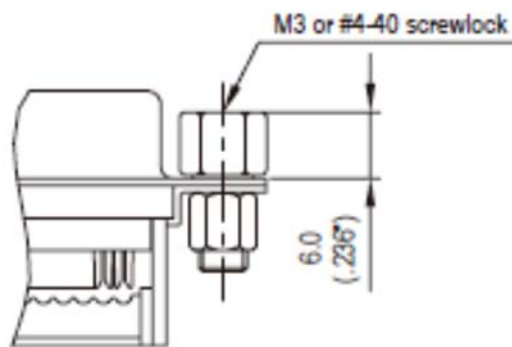
Panel mounting option



Standard rivet \varnothing 3.05mm
no digit



Threaded rear insert
B / D



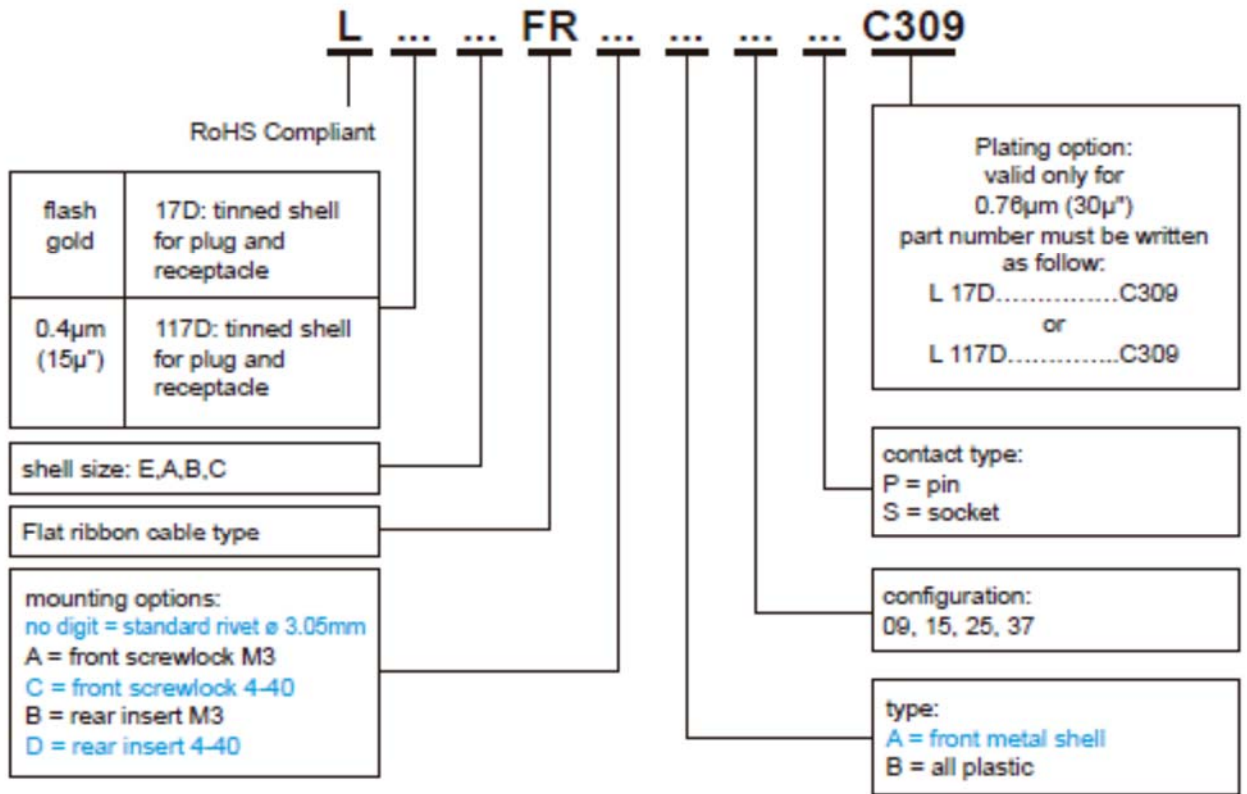
Front female screwlock
A / C

Tel.: +34 91 355 60 06
e-mail: comercial@scp-sa.es



S.C.P. s.a.

Suministros de Conectores Profesionales, s.a.



Tel.: +34 91 355 60 06
e-mail: comercial@scp-sa.es